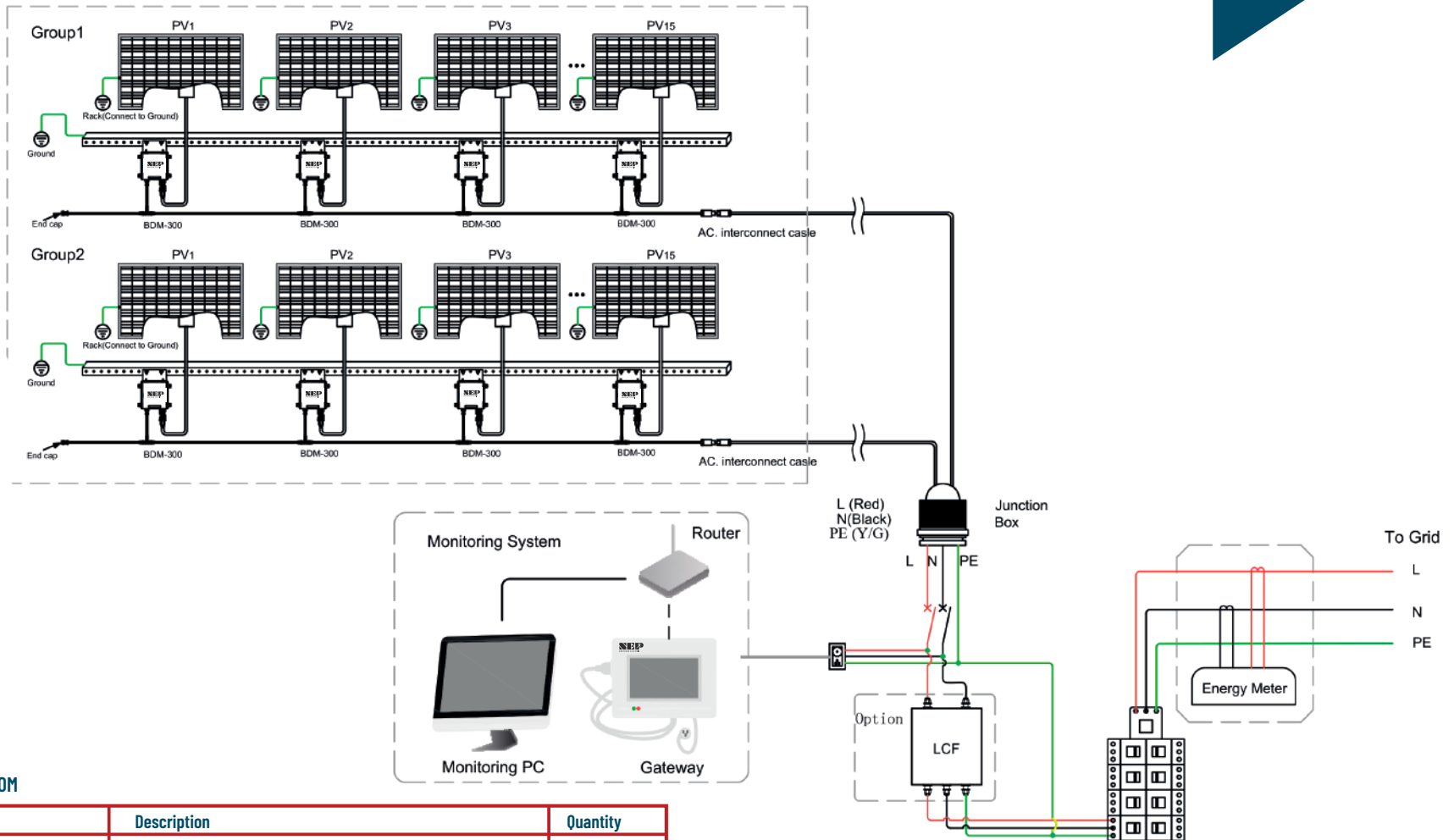


BDM-300 Wiring Diagram, Single phase for Australia



7.5kW PV System BOM

Specification	Description	Quantity
PV module	PV PANELS (300W)	30
BDM-300	Micro Inverter w/ integrated grounding	30
BDG-256	Communication Gateway w/ BDG-256-PC-NA power cord	1
LCF(Line Communications Filter)		option
Trunk cable drops	12AWG	30
Male Connector		2
AC interconnect cable	16 feet AC cable w/ female conector	2
End cap	male end cap w/ female conector	2

Quantity:		Material:			
Designed by:	Checked by:	Approved by:	Date:	Edition:	Scale:
				Title: 9.0kW PV System (AU)	
				Drawing number:	