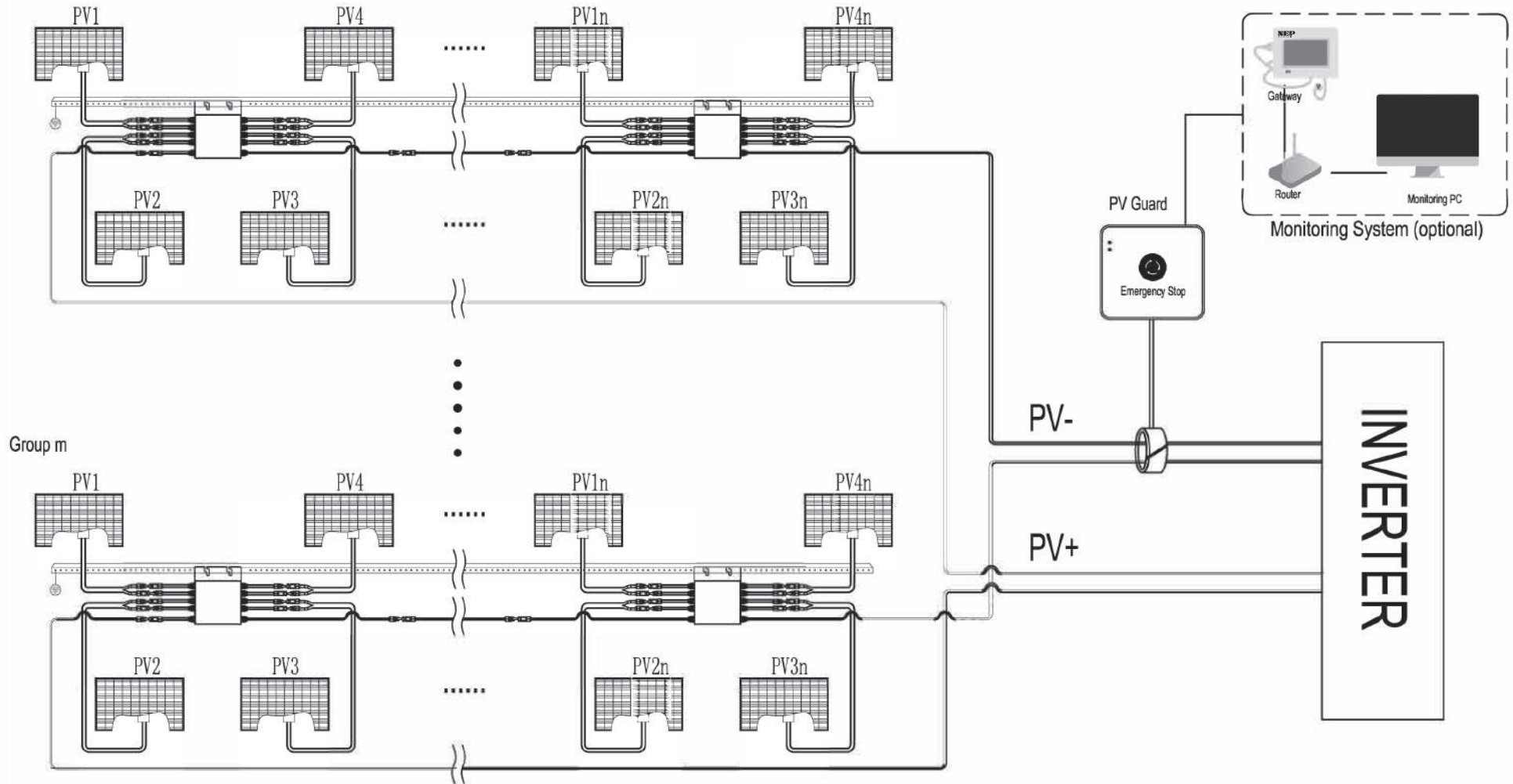




# PVG-C Controller with PVG-4 Receiver



|  |                    |                     |              |                        |   |                     |
|--|--------------------|---------------------|--------------|------------------------|---|---------------------|
| <b>Quantity:</b>   |                    | <b>Material:</b>    |              |                        |  |                     |
| <b>Designed by:</b>  | <b>Checked by:</b> | <b>Approved by:</b> | <b>Date:</b> | <b>Edition:</b>        | <b>Scale:</b>   |                     |
| <br>NORTHERN ELECTRIC |                    |                     |              | <b>Drawing number:</b> |   | <b>Sheet 1 of 1</b> |