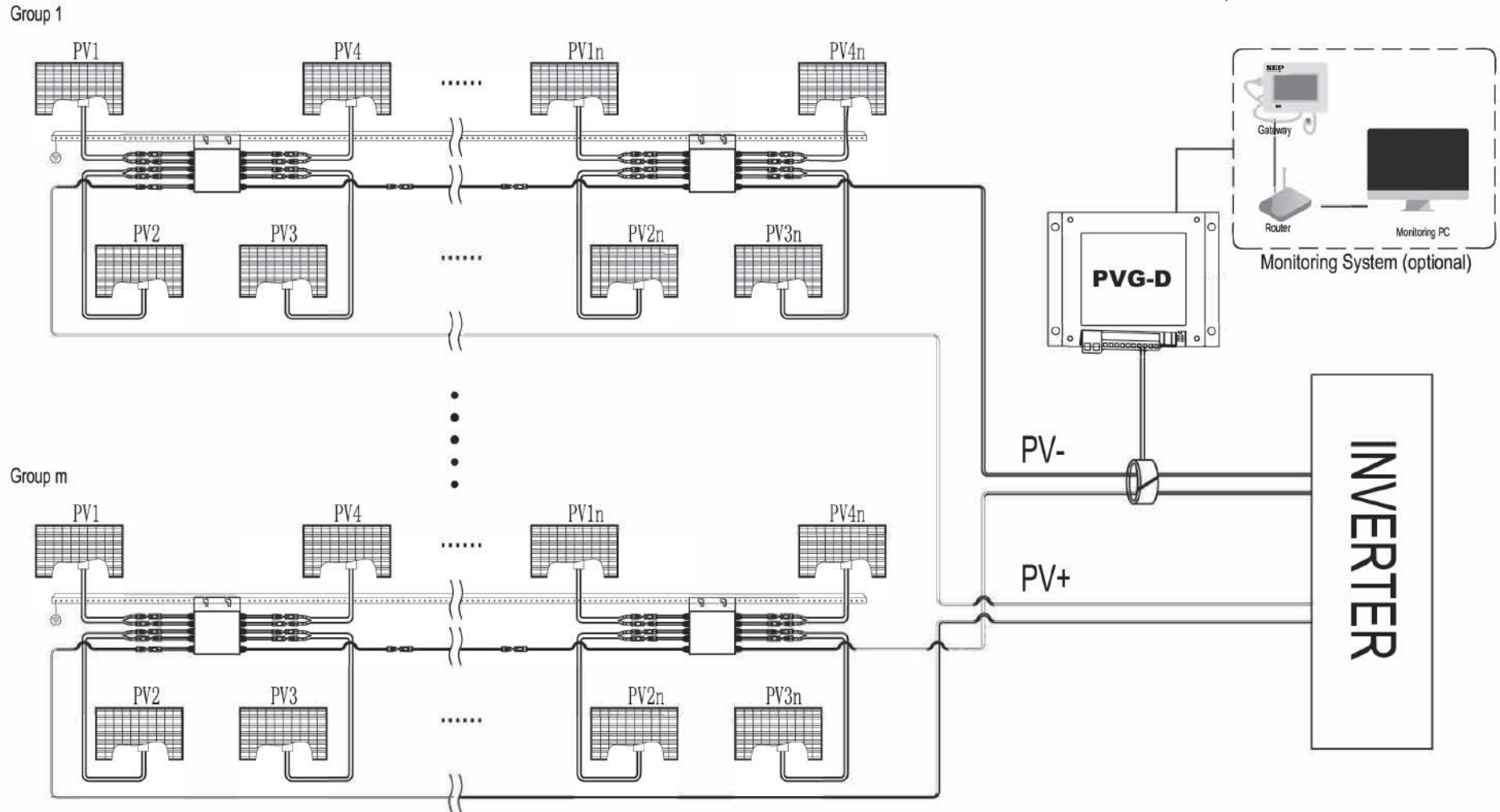


PVG-D Controller with PVG-4 Receiver



Quantity:		Material:					
Designed by:	Checked by:	Approved by:	Date:	Edition:	Scale:		
 NORTHERN ELECTRIC				Drawing number:		Sheet 1 of 1	