

# NEP PVG-2: Configuration Form

Date:	
Company Name :	
Contact Name:	
Contact phone:	

1) **Metal Clip install in factory**

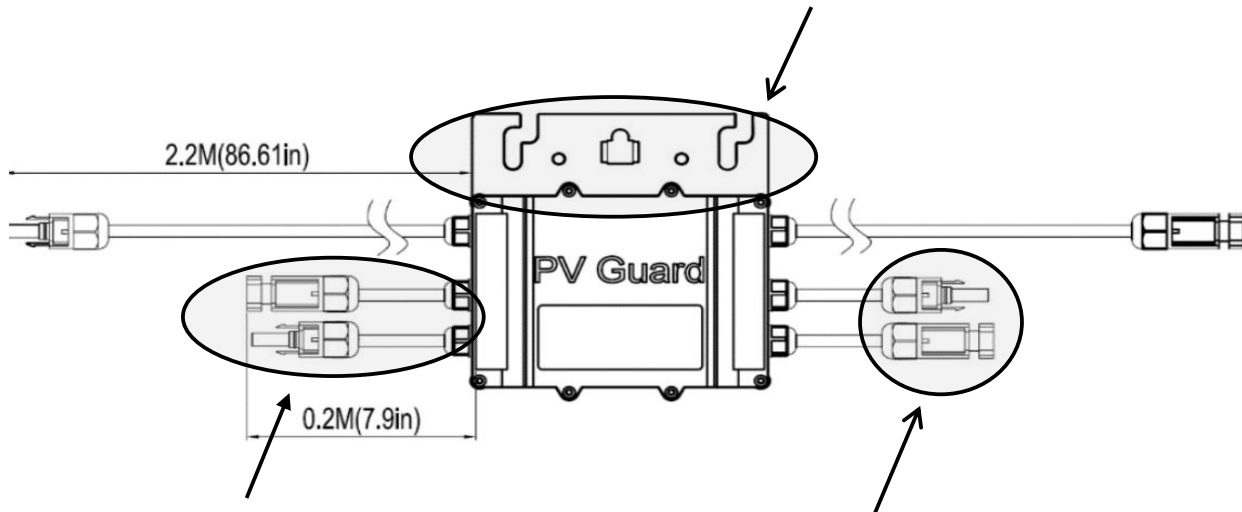
Standard/Metal clip comes separate:

Do you need metal clip?

<u>YES</u>	<u>NO</u>
------------	-----------

If Yes, do you need metal clip pre-installed at factory?

<u>YES</u>	<u>NO</u>
------------	-----------



2) **PV Cable Length (both)**

3) **PV Connector Type**

