

BDM-500/(300x2)600X MICROINVERTER

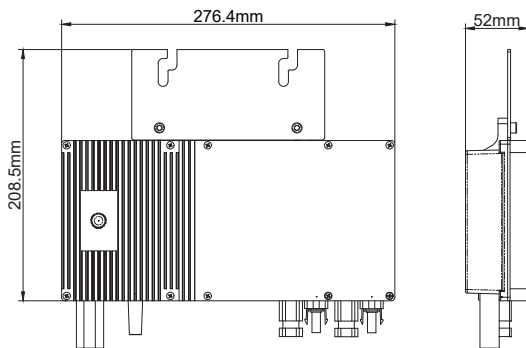
CEC Listing as Utility Interactive Grid Support Inverter

(NC0141, NC0142)



STANDARD DIMENSIONS

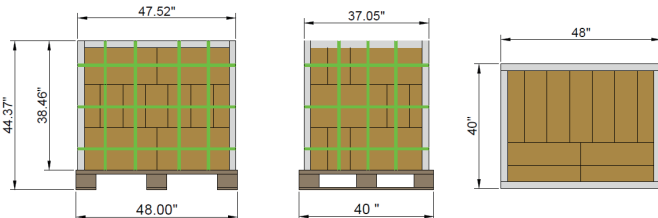
(mm)



Weight: 3.9 kg

Certifications

UL 1741, CSA C22.2, NO. 107.1, IEC/EN 62109-1, IEC/EN 62109-2, IEEE 1547, VDE-AR-N 4105*, VDE V 0126-1-1/A1, G83/2, CEI 21, AS 4777.2, AS 4777.3, EN50438, ABNT NBR 16149/16150



Per box: 5 pcs
Boxes per layer: 8
Layers: 3

Pallet Qty: 120 pcs
Pallet weight: 473 kg

SPECIFICATIONS

Model	BDM-500	BDM-300x2 (BDM-600X)
Input (DC)		
Recommended Max PV Power:	375 W x 2	450 W x 2
Max DC Open Circuit Voltage:	60 Vdc	60 Vdc
Max DC Input Current:	20 A x 2	20 A x 2
MPPT Tracking Accuracy:	> 99.5%	> 99.5%
MPPT Tracking Range:	22 – 55 Vdc	22 – 55 Vdc
ISC PV (Absolute Maximum):	20 A x 2	20 A x 2
Maximum Backfeed Current to Array:	0 A	0 A
Output (AC)		
Peak AC Output Power:	500 W	600 W
Max Continuous Output Power(240V):	500 W	590 W
Max Continuous Output Power(208V):	476 W	590 W
Nominal Power Grid Voltage:	1φ: 240 Vac 3φ: 208 Vac	
Allowable Power Grid Voltage:	1φ: 211-264 Vac (adjustable) 3φ: 183-228 Vac (adjustable)	
Rated Output Current:	1φ: 2.08A 3φ: 2.29 A	1φ: 2.46 A 3φ: 2.84 A
Maximum Units Per Branch (20A): <i>(All NEC adjustment factors considered)</i>	1φ: 7 units 3φ: 7 units	1φ: 6 units 3φ: 5 units
Allowable Power Grid Frequency:	59.3 - 60.5 Hz (adjustable)	
THD:	< 5% (at rated power)	
Power Factor:	-0.9~0.9	
Current (inrush) (Peak and Duration):	9.4 A, 15 US	
Nominal Frequency:	60 Hz	
Max Output Fault Current:	2.4 Arms for 3 cycles	
Max Output Overcurrent Protection:	10 A	
System Efficiency		
Weighted Average Efficiency (CEC):	95.5%	
Nighttime Tare Loss:	0.2 W	
Protection Function		
Over/Under Voltage Protection:	Yes	
Over/Under Frequency Protection:	Yes	
Anti-Islanding Protection:	Yes	
Over Current Protection:	Yes	
Reverse DC Polarity Protection:	Yes	
Overload Protection:	Yes	
Protection Degree:	NEMA-6 / IP-66 / IP-67	
Ambient Temperature:	-40°F to +149°F (-40°C to +65°C)	
Operating Temperature:	-40°F to +185°F (-40°C to +85°C)	
Display:	LED Light	
Communications:	Power line Communications / WiFi	
Environment Category:	Indoor and outdoor	
Wet Location:	Suitable	
Pollution Degree:	PD 3	
Over Voltage Category:	II(PV), III (AC MAINS)	

All NEC required adjustment factors have been considered for AC outputs. AC current outputs will not exceed stated values for Rated output AC Current.

COMPLIANCE

- NEC 2023 Section 690.11 DC Arc-Fault Circuit Protection
- NEC 2023 Section 690.12 Rapid Shutdown of PV Systems on Buildings
- NEC 2023 Section 690.33 Mating Connectors
- NEC 2023 Section 705.12 Point of Connection (AC Arc-Fault Protection)