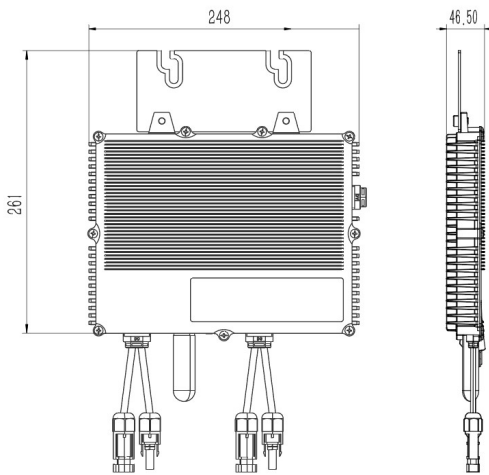


## BDM-1000 MICROINVERTER (NC0170-US-BQ)

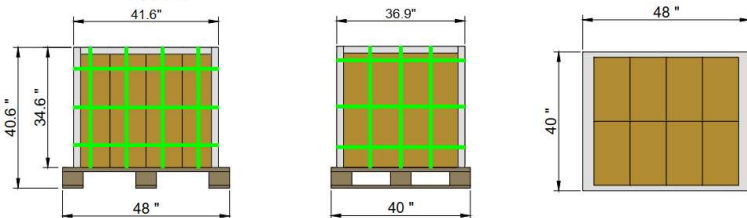


### STANDARD DIMENSIONS



#### Product Safety Compliance

UL 1741-SA, UL 1741-SB, CSA C22.2, NO 107.1, IEC/EN 62109-1, IEC/EN 62109-2  
**Grid Code Compliance (Refer to the label for detailed information)**  
 IEE5 1547, VDE-AR-N 4105\*, VDE V 0126-1-1/A1, G83/2, CEI 21, AS 4777.2, AS 4777.3, EN50438, ABNT NBR 16149/16150



Per box: 4 pcs  
 Boxes per layer: 8  
 Layers: 2

Pallet Qty: 64 pcs  
 Pallet weight: 698 lbs.

## SPECIFICATIONS

### Input (DC)

<b>Recommended Max PV Power:</b>	750 W x 2
<b>Max DC Open Circuit Voltage:</b>	60 Vdc
<b>Max DC Input Current:</b>	20 A
<b>MPPT Tracking Accuracy:</b>	> 99.5%
<b>MPPT Tracking Range:</b>	22 – 55 Vdc
<b>ISC PV (Absolute Maximum):</b>	25 x 2 A
<b>Maximum Backfeed Current to Array:</b>	0 A

### Output (AC)

<b>Peak AC Output Power:</b>	1000 W
<b>Max Continuous Output Power:</b>	960 W
<b>Nominal Power Grid Voltage:</b>	240 Vac
<b>Allowable Power Grid Voltage:</b>	211-264 Vac
<b>Rated Output Current:</b>	4.0 A
<b>Maximum Units Per Branch</b>	
<b>12AWG (20A):</b>	4 units
<b>Maximum Units Per Branch</b>	
<b>10AWG (30A):</b>	6 units

(All NEC adjustment factors considered)

<b>Allowable Power Grid Frequency:</b>	59.3 - 60.5 Hz
<b>THD:</b>	< 5% (at rated power)
<b>Power Factor (cos phi, fixed):</b>	-0.9un ~0.9ov (adjustable)
<b>Current (inrush) (Peak and Duration):</b>	9.4 A Peak / 15 us
<b>Nominal Frequency:</b>	60 Hz
<b>Max Output Fault Current:</b>	9.6 A Peak / 10 ms
<b>Max Output Overcurrent Protection:</b>	10A

### System Efficiency

<b>Weighted Average Efficiency (CEC):</b>	96.5%
<b>Nighttime Tare Loss:</b>	0.11 W

### Protection Function

<b>Over/Under Voltage Protection:</b>	Yes
<b>Over/Under Frequency Protection:</b>	Yes
<b>Anti-Islanding Protection:</b>	Yes
<b>Over Current Protection:</b>	Yes
<b>Reverse DC Polarity Protection:</b>	Yes
<b>Overload Protection:</b>	Yes
<b>Protection Degree:</b>	NEMA-6 / IP-66 / IP-67
<b>Ambient Temperature:</b>	-40°F to +149°F (-40°C to +65°C)
<b>Operating Temperature:</b>	-40°F to +185°F (-40°C to +85°C)
<b>Display:</b>	LED Light
<b>Communications:</b>	Powerline Communications, WiFi
<b>Environment Category:</b>	Indoor and outdoor
<b>Wet Location:</b>	Suitable
<b>Pollution Degree:</b>	PD 3
<b>Over Voltage Category:</b>	II(PV), III (AC MAINS)

All NEC required adjustment factors have been considered for AC outputs. AC current outputs will not exceed stated values for Rated output AC Current.

### COMPLIANCE

- NEC 2023 Section 690.11 DC Arc-Fault Circuit Protection
- NEC 2023 Section 690.12 Rapid Shutdown of PV Systems on Buildings
- NEC 2023 Section 690.33 Mating Connectors
- NEC 2023 Section 705.12 Point of Connection (AC Arc-Fault Protection)