

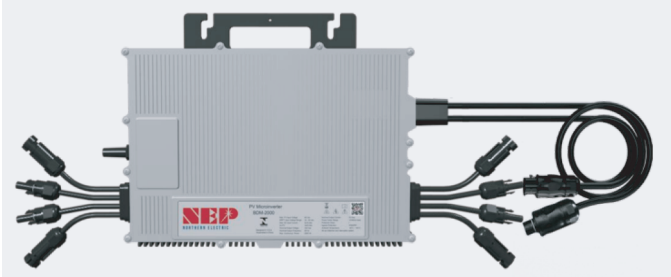
PRODUCT DATASHEET



BDM-1200/1600/2000 MICROINVERTER

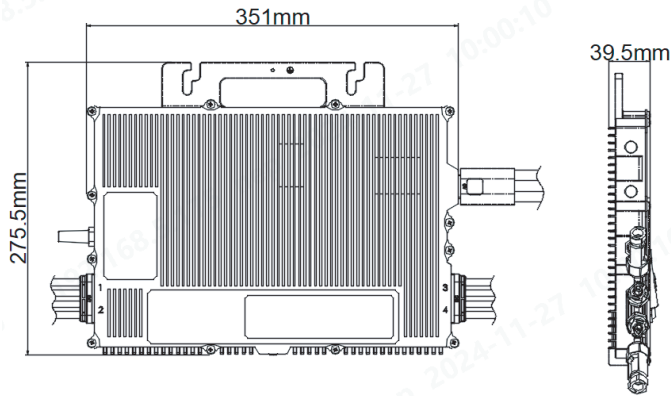
CEC Listing as Utility Interactive Grid Support Inverter

(NC0200, NC0199, NC0171)



STANDARD DIMENSIONS

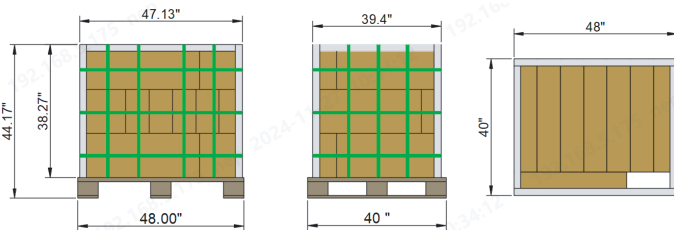
(mm)



Weight: 6 kg

Certifications

UL 1741SB, IEEE1547, HECO-SRD; EN62109; IEC61000; INMETRO



Per box: 3 pcs
Boxes per layer: 8
Layers: 3

Pallet Qty: 72 pcs
Pallet weight: 1227 lbs.

SPECIFICATIONS

Model	BDM-1200	BDM-1600	BDM-2000
Input (DC)			
Recommended Max PV Power:	450 W x 4	600 W x 4	750 W x 4
Max DC Open Circuit Voltage:	60 Vdc	60 Vdc	60 Vdc
Max DC Input Current:	25 A x 4	25 A x 4	25 A x 4
MPPT Tracking Accuracy:	> 99.5%	> 99.5%	> 99.5%
MPPT Tracking Range:	22 – 55 Vdc	22 – 55 Vdc	22 – 55 Vdc
ISC PV (Absolute Maximum):	25 A x 4	25 A x 4	25 A x 4
Maximum Backfeed Current to Array:	0 A	0 A	0 A
Output (AC)			
Peak AC Output Power:	1300 W	1600 W	2000 W
Max Continuous Output Power(1φ):	1280 W	1440W	1920 W
Max Continuous Output Power(3φ):	1102 W	1248W	1664 W
Nominal Power Grid Voltage:	1φ: 240 Vac (adjustable)		
	3φ: 208 Vac (adjustable)		
Allowable Power Grid Voltage:	1φ: 211-264 Vac		
	3φ: 183-228 Vac		
Rated Output Current:	1φ: 5.3 A	1φ: 6.0 A	1φ: 8.0 A
	3φ: 5.3 A	3φ: 6.0 A	3φ: 8.0 A
Maximum Units Per Branch (20A): (All NEC adjustment factors considered)	1φ: 3 units	1φ: 2 units	1φ: 2 units
	4φ: 3 units	3φ: 2 units	3φ: 2 units
Maximum Units Per Branch (30A): (All NEC adjustment factors considered)	1φ: 4 units	1φ: 4 units	1φ: 3 units
	3φ: 4 units	3φ: 4 units	3φ: 3 units
Allowable Power Grid Frequency:	59.3 - 60.5 Hz (adjustable)		
THD:	< 5% (at rated power)		
Power Factor:	-0.9~0.9		
Current (inrush) (Peak and Duration):	24 A, 15 us		
Nominal Frequency:	60 Hz		
Max Output Fault Current:	17.3 Arms for 3 cycles		
Max Output Overcurrent Protection:	20 A		
System Efficiency			
Weighted Average Efficiency (CEC):	96.5%		
Nighttime Tare Loss:	0.2 W		
Protection Function			
Over/Under Voltage Protection:	Yes		
Over/Under Frequency Protection:	Yes		
Anti-Islanding Protection:	Yes		
Over Current Protection:	Yes		
Reverse DC Polarity Protection:	Yes		
Overload Protection:	Yes		
Protection Degree:	NEMA-6 / IP-66 / IP-67		
Ambient Temperature:	-40°F to +149°F (-40°C to +65°C)		
Operating Temperature:	-40°F to +185°F (-40°C to +85°C)		
Display:	LED Light		
Communications:	Power line Communications / WiFi		
Environment Category:	Indoor and outdoor		
Wet Location:	Suitable		
Pollution Degree:	PD 3		
Over Voltage Category:	II(PV), III (AC MAINS)		

All NEC required adjustment factors have been considered for AC outputs. AC current outputs will not exceed stated values for Rated output AC Current.

COMPLIANCE

- NEC 2023 Section 690.11 DC Arc-Fault Circuit Protection
- NEC 2023 Section 690.12 Rapid Shutdown of PV Systems on Buildings
- NEC 2023 Section 690.33 Mating Connectors
- NEC 2023 Section 705.12 Point of Connection (AC Arc-Fault Protection)