

PRODUCT DATASHEET



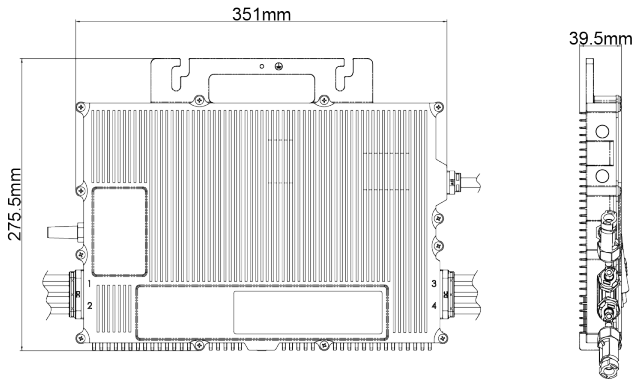
BDM-2000 MICROINVERTER

CEC Listing as Utility Interactive Grid Support Inverter
(NC0171-US, NC0165-US)



STANDARD DIMENSIONS

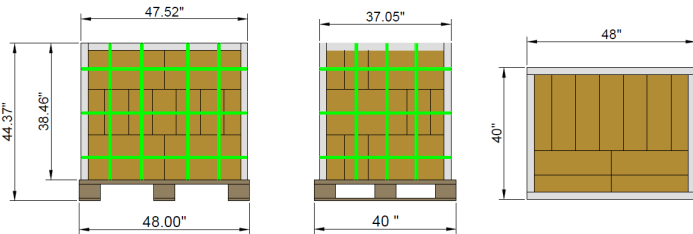
mm



Weight: 13 lbs. (5.9 kg)

Certifications

UL 1741, IEEE 1547, CSA C22.2, IEC/EN 62109-1, IEC/EN 62109-2, VDE-AR-N 4105*, VDE V 0126-1-1/A1, G83/2, CEI 21, AS 4777.2, AS 4777.3, EN50438, ABNT NBR 16149/16150



Per box: 3 pcs
Boxes per layer: 11
Layers: 3

Pallet Qty: 99 pcs
Pallet weight: 1440 lbs.

SPECIFICATIONS

Input (DC)	
Recommended Max PV Power:	750 W x 4
Max DC Open Circuit Voltage:	60 Vdc
Max Isc Current:	25 A x 4
MPP Input Current:	18 A x 4
MPPT Tracking Accuracy:	> 99%
MPPT Tracking Range:	22 – 55 Vdc
Maximum Backfeed Current to Array:	0 A

Output (AC)			
Peak AC Output Power:	2000 W		
Max Continuous Output Power:	1920 W	1664 W	2000 W
Nominal Power Grid Voltage:	240 Vac	3φ: 208 Vac	3φ: 480Y/277Vac
Allowable Power Grid Voltage:	211-264 Vac	3φ: 183-228 Vac	3φ: 243-305 Vac
Rated Output Current:	8.0A	3φ: 8.0 A	3φ: 7.22 A
Maximum Units Per Branch (30A):	3 units	3φ: 3 units/phase	3φ: 3 units/phase
(All NEC adjustment factors considered)			
Allowable Power Grid Frequency:	59.3 - 60.5 Hz (adjustable)		
THD:	< 5% (at rated power)		
Power Factor (cos phi, fixed):	0.9un ~ 0.9ov		
Current (inrush) (Peak and Duration):	24 A peak / 15μs		
Nominal Frequency:	60 Hz		
Max Output Fault Current:	26.0 A peak / 662 ms		
Max Output Overcurrent Protection:	20 A		

System Efficiency	
Weighted Average Efficiency (CEC):	96.5%
Nighttime Tare Loss:	0.4 W

Protection Function	
Over/Under Voltage Protection:	Yes
Over/Under Frequency Protection:	Yes
Anti -Islanding Protection:	Yes
Over Current Protection:	Yes
Reverse DC Polarity Protection:	Yes
Overload Protection:	Yes
Protection Degree:	NEMA-6 / IP-66 / IP-67
Ambient Temperature:	-40°F to +149°F (-40°C to +65°C)
Operating Temperature:	-40°F to +185°F (-40°C to +85°C)
Display:	LED Light
Communications:	Powerline Communications , Wi-Fi
Environment Category:	Indoor and outdoor
Wet Location:	Suitable
Pollution Degree:	PD 3
Over Voltage Category:	II(PV), III (AC MAINS)

All NEC required adjustment factors have been considered for AC outputs. AC current outputs will not exceed stated values for Rated output AC Current.

COMPLIANCE

- NEC 2023 Section 690.11 DC Arc-Fault Circuit Protection
- NEC 2023 Section 690.12 Rapid Shutdown of PV Systems on Buildings
- NEC 2023 Section 705.12 Point of Connection (AC Arc-Fault Protection)